

Compact Telehandlers





Index

The Merlo Group	Page 4
Compact telehandler range	Page 6
Merlo Technologies	
• Safety	Page 8
• Performance	Page 12
• Comfort	Page 14
• Efficiency	Page 16
Range	Page 18
Attachments and Movimatica	Page 22
Services	Page 22
Technical characteristics	Page 23





Merlo Headquarters

S. Defendente di Cervasca (CN)
Italy

Merlo facility with 350000 m² of covered area:

- A - Electrical component production
- B - Hydraulic component production
- C - Frame production
- D - Cab production
- E - Axle production
- F - Engine configuration
- G - Machine assembly



Merlo

The technological leader in operating machines

Founded in Cuneo, Italy in 1964, Merlo is a family-run industrial group which designs, produces and markets a wide range of machinery under the Merlo and TreEmme brands.

People, innovation and sustainability are central to the Merlo brand. The Merlo Group is committed to respecting the environment while making the work of the operator (and everyone who is passionately dedicated to constantly improving the efficiency and performance of our products) more functional, safe and comfortable.

Our product portfolio consists of a complete range of telescopic handlers (both fixed and rotating), as well as self-loading concrete mixers (DBMs), TreEmme implement-holders for municipal and forestry use, and multi-purpose tracked Cingo transporters.

All products in the Merlo range are characterised by innovation, reliability and versatility. These pillars are the foundation of the Merlo Group, and continue to define Merlo's product range to this day.

Merlo S.p.A has always been synonymous with technological innovation in the world of telehandlers.





Compact telehandler range **Maximum performance, minimum encumbrance**

Merlo has always offered telehandlers to meet the needs of the operator. This particular attitude has been fully respected in the design of the Compact telehandler range: small handlers capable of ensuring high-profile performance while offering first-class comfort thanks to the widest cab in its category. All this without limiting operator safety and ease of use, typical of Merlo telehandlers.

MERLO compact telehandlers are recognised worldwide as the all-purpose par excellence, offering models which, thanks to their distinctive features, can be used both in agriculture - farming, haymaking, fruit growing and forestry - and in construction and industrial sectors, without neglecting more specific contexts such as recycling, municipalities and mines.

User Interface:

In-cab display for viewing operational parameters. Ergonomic joystick controls with integrated travel-direction selector switch. Cursors and controls are designed to maximise ease of use.

Powertrain:

Hydrostatic transmission with permanent four-wheel drive, **75 and 115 HP** engines and **maximum speed of 40 km/h**. Exclusive position of the side and longitudinal engine.

Manoeuvrability:

Machines equipped with four-wheel steering and three types of steering. The steering range is minimised in order to maximise manoeuvrability in all situations.



Telescopic Boom:

Heights **from 6 to 9 metres** with load-bearing capacities from **2700 to 3300 kg**.

Exclusive design that ensures lightness, precision and durability. Implement-holder carriage equipped with hydraulic Tac-lock locking system, controllable from the cab.

Cab:

Level II FOPS and ROPS certified, designed to maintain the maximum level of ergonomics while ensuring excellent protection for the operator. The 1010 mm width and the wide glass surface ensure unparalleled comfort and full visibility.

Hydraulic System:

Downsized hydraulic system to minimise manoeuvring times. Hydraulic pump with fixed displacement - gears - or variable - Load sensing and Flow Sharing distributor - according to the machine configuration.

Safety

Our Key Focus

Throughout the design of a Merlo, our main focus is always on operator safety. The cab structure, certified according to ISO 3449 FOPS and ISO 3471 ROPS standards, provides a class-leading level of protection for telehandler users. The FOPS protection grille is outside of the glass roof to improve headroom in the cab while protecting the structure of the machine and the windscreen. All Merlo models are equipped with a built-in safety system which monitors and manages safety-related parameters in real-time. Merlo telehandlers also feature an automatic parking brake which engages if the engine switches off. This avoids unintentional movements, enhancing machine safety when stationary.

Merlo Boom

The Merlo boom uses a double "C" profile in high-strength steel, with welds made along the neutral bending axis. Hydraulic hoses and electrical wires positioned inside the boom, utilising a **"cartridge" system**, protects them against any possible impacts, and enables easy component extraction in case of required maintenance. The L-shaped runner blocks are made of composite material, maximising efficiency and reducing impact and wear on the sliding surfaces. The Merlo boom offers high accuracy with millimetric precision of movement control.



Safety System

In order to remain fully compliant with regulations in frontal tipping prevention, Merlo telehandlers are equipped with features developed specifically to keep the operator safe from frontal tipping, without sacrificing performance, particularly of boom speed and lifting capacity. The features differ according to product range:

- The most compact models are equipped with an EN15000-compliant system.
- The higher performance ranges complete the safety package with the innovative ASCS system.

Frame

With smaller dimensions compared to market standards, the frame minimises the size of the machine. It is also equipped with a steel bar "belt" on the outside. Designed to maximise the strength of the machine's structure, the underside of the machine is completely protected by steel sheets. This protects all components from possible impact while driving off-road.



FOPS Protection

All Merlo telehandlers have a metal structure above the glass roof on the outside of the cab to comply fully with FOPS Level II standard, the most stringent certification level in protecting the operator from falling objects. The Merlo protection grid on top of the cab is moulded to reduce any impact on operator visibility, and ensures:

- Perfect comfort in the cab
- Excellent visibility of the load
- Maximum safety for the operator and cab components, including the roof and upper windscreen wiper
- The structure can be easily dismantled by the operator for thorough cleaning of the roof and windscreen.

Aerial work platform

All models from the Compact range can be configured with aerial work platform. This solution, complying with EN280 standard, assures an increased level of active and passive safety during work at heights, and enhances machine versatility. A new management solution has been applied to the aerial work platforms and allows for proportionality in the speed of platform movement in relation to the loads handled and the position of the boom. This speeds up work operations to the benefit of users.



ASCS

Merlo's ASCS (Adaptive Stability Control System) prevents risk of the machine tipping over frontally while handling a load.

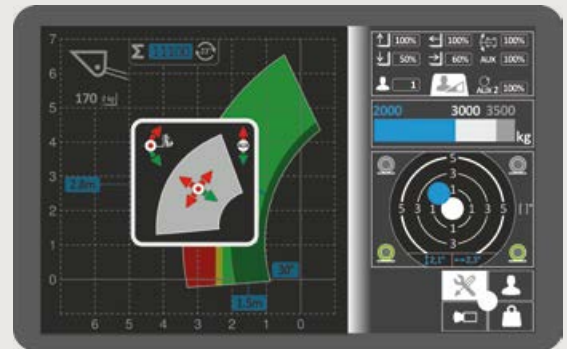
The system regulates the speed and maximum degree of movement according to three operating parameters:

- Handled load - Kg of materials lifted
- Load position - reach, boom extension and carriage rotation
- Implement in use - **automatically recognised by special sensors.**

When the operational stability limit is reached, the system first reduces the speed of the arm, then stops movement completely. Independent control of each hydraulic movement allows for the identification of potentially unsafe movements, allowing only those which do not affect the stability, or which re-establish a safer position.

Display

The ASCS system is equipped, either as an option or as standard, with a **10,1" colour display** with integrated sensor for automatic brightness adjustment according to external light conditions. In this way, a simple reading of the stability conditions is always ensured, updated in real time, according to the load being handled and the implement in use. The operator can always see at what point the safety system will be triggered. Once the system intervenes by blocking all movements, a pop-up message appears, showing the operator all movements and operations which are not detrimental to the stability of the machine. Finally, the inclinometer is shown to maximise the safe use of the machine.

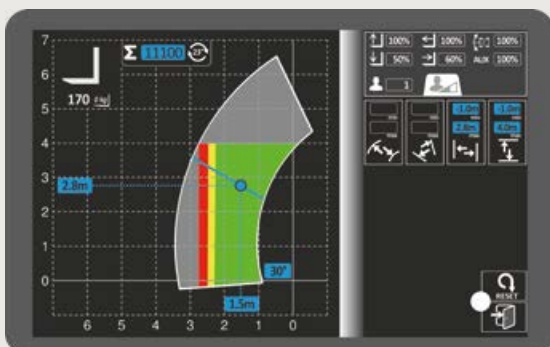


Working Area Setting

A special function, accessible via the display, allows the operator to **set working area restrictions**.

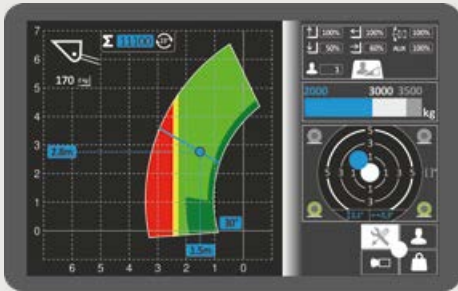
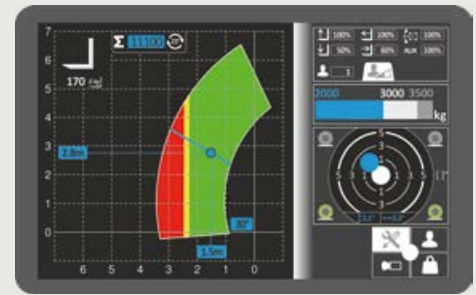
Adjustments can be made to vertical and horizontal movements (minimum and maximum height and extension), or to the relative movements of the boom (minimum and maximum lifting and extension angle of the extension).

Adjustments are easy and precise, operating using the green thumb-wheel located near the joystick. This guarantees accurate adjustments of 0,1 metres while operating the boom. The angle of the boom can be adjusted with an accuracy of 1°. The working area settings **increase safety during repetitive work, particularly in confined spaces**, such as inside a warehouse.



Movement Speed Setting

Merlo's ASCS system uses an in-cab display to customise the speed of individual movements of the boom and attachments in use. All of these parameters are controlled according to the needs of the operator as well and the requirements of the job. Up to nine different setups can be stored.

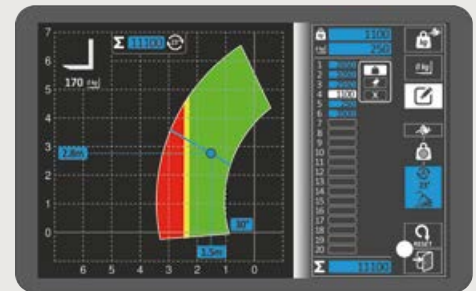


Free Zone

By equipping the machine with a bucket, which is recognised accordingly, the working free zone is **automatically activated**. A working area is up to 1 metre of reach and 10° of lift. Within this area it is possible to operate the machine without the control system blocking the movement of the implement in case of overload, facilitating digging operations and ensuring perfectly smooth movements.

Memorising Handled Loads

The ASCS display shows a reading of the load being handled, either manually or automatically, whenever the telescopic boom is raised beyond the height set by the operator. The average tolerance on the measured values of boom inclination is $\pm 5\%$. These can vary depending on the dynamic conditions of the machine. The system can store up to 1000 different readings, displaying the total and the last 20 values.



Continuous Delivery

Models with the ASCS display are equipped with a system for regulating and delivering a constant flow of oil to attachments via the headstock. This allows for **oil flow to be precisely and specifically adjusted from zero to maximum flow rate** for each of the 4 auxiliary hydraulic outlets at the top of the boom. This solution is also available as an option for several other models.

Rear Camera

In combination with the 10,1" colour display of the ASCS system, machines can be equipped with an automatic rear camera, activated when the machine is put into reverse. Images from the rear of the telehandler are shown directly on the in-cab display. The camera can also be activated manually from the ASCS menu.



Performance

Power at your Fingertips

The Compact telehandlers are equipped with a hydrostatic transmission, powered by a combustion engine which, using a two-speed gearbox or a single-speed gearbox in the case of the most compact model, allows a maximum speed of 40 km/h.

Featuring permanent four-wheel drive, the Merlo telehandlers have excellent braking capacity when the accelerator pedal is released, guaranteeing high torque to the wheels during material handling and transfers, as well as millimetric precision of movements when positioning the load.

The exclusively designed axles are manufactured and developed in-house by Merlo, and can be equipped with differential lock to ensure traction on any terrain, regardless of how unstable. The balance of the vehicle's weight, the design of the boom and hydraulic components allow for high telescopic capabilities without impacting the dimensions, or the fuel consumption of the machine.

Engines

All models feature a combustion engine in an original Merlo mounting layout, developed by Merlo with the invention of the panoramic visibility models. This configuration places the engine in a longitudinal direction, on the right side of the frame. This ensures maximum accessibility to the components during scheduled and/or extraordinary maintenance operations. The power range of the installed engines is between 75 and 115 HP. Finally, the electronic management of the injection system allows Merlo to precisely and smoothly adjust the power delivery according to the customer's requirements.



Hydraulic system

These are the only models on the market equipped with two separate circuits for hydraulics and hydrostatics with two different oil reservoirs. The Compact telehandlers can be fitted with two different hydraulic solutions:

- Hydraulic with open centre distributor (gear pump): The maximum operating pressure is limited to 210 bar to reduce component wear and overheating of the hydraulic oil.
- Hydraulic with Flow Sharing distributor: The latter maximises the efficiency and responsiveness of the system, allowing for the simultaneous operation of up to three hydraulic movements.

Axles and Brakes

The axles of the Compact telehandlers are made with a solution equipped with **epicyclic reducers** to maximise the torque transmitted to the wheels, lower the centre of gravity and reduce the maximum height of the machine. This system is designed and manufactured in-house to offer the best solution in terms of strength, service life and efficiency. They are also equipped with dry disc brakes sized to ensure lower running costs. In addition, all bearings and bushings are designed to ensure a longer service life and reduce the need for maintenance.



RRM

A **unique and patented solution**. Merlo developed and manufactured hydraulic couplings ensure:

- Quick assembly and disassembly
- Increased tightness of connections
- Increased component service life
- No risk of line twisting

Fan Drive

The **Fan Drive** is a technology fitted as standard that allows you to change the engine fan's rotation direction from venting, which cools the radiators, to blowing, which cleans them, eliminating dust and residues collected during the work phase, to maintain the system's performance and efficiency unaltered.



Top configuration

The more compact models offer two different configurations. The P27.6 Plus is developed to offer a level of power and features that can meet every customer's needs, ensuring performance and efficiency applicable to any context of use. The P27.6 Top version differs from the Plus version in the installation of an oversized hydrostatic drive with the aim of delivering greater torque to the wheels, reaching 4000 kg of drive force, over 20% more than the Plus model. It is, therefore, a perfect model for those who need superior performance without sacrificing on the extraordinary compactness and comfort qualities.

Comfort

The best work station

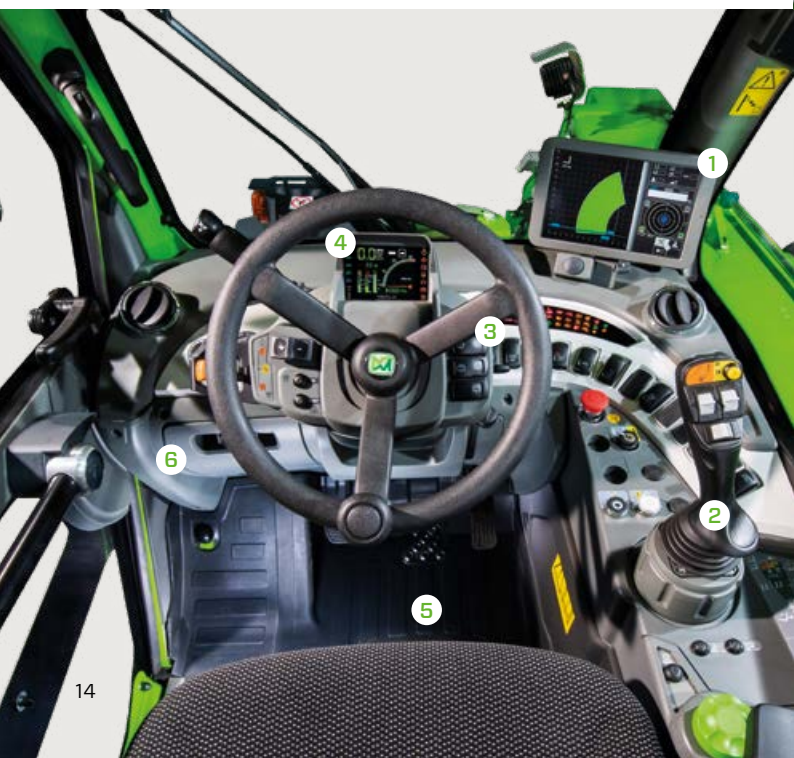
The exclusive cab, fitted with vibration-damping silent-blocks on the frame, has been developed to guarantee our customers a record level of comfort, with a width of 1010 mm and a large glass surface of 4,3 sq.m ensuring the best roominess in its class. Simple and easy access to the cab is guaranteed by the 180° opening door, the high distance between the upright and steering wheel, and the correct positioning of the steps and handles for access.

Acoustic and thermal comfort have also been taken care of down to the smallest detail in all telehandler ranges, thanks to intensive research into the most innovative technical solutions and materials, ensuring optimal soundproofing and thermal insulation. Finally, the entry of dust into the passenger compartment is prevented thanks to the cab pressurisation compliant with ISO 10263-3 standards*

NOTES: * pressurisation level not approved for use of pesticides, work in hazardous environments, with asbestos, etc.

Cab entry

Easy access to the cab is ensured by the 180° opening door, which maximises entry space, and the large distance between the upright and steering wheel. The side window, which is independent of the door body, can be locked in the open position to maximise air exchange, visibility and direct contact with those working outside near the machine. It is possible to unlock the window either by means of the control on the floor or with the release knob installed directly on the window to facilitate unlocking operations.



Cab

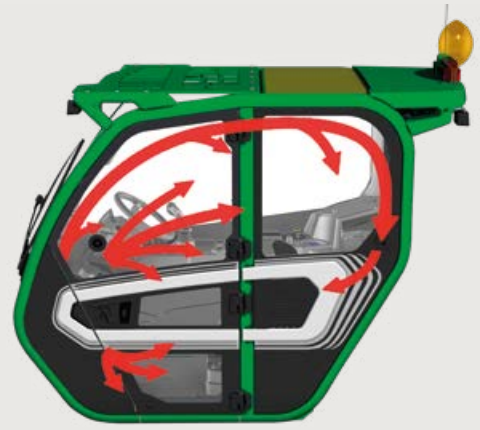
Merlo's design guarantees high levels of **functionality and comfort**; grouping the information provided to the driver and the controls of the various systems and devices for optimal ergonomics. The reverse shuttle on the steering wheel is also present on the joystick.

- 1 - ASCS display (Opt)
- 2 - Capacitive joystick
- 3 - Steering wheel and transmission controls
- 4 - Transmission display
- 5 - Pedals
- 6 - Accessory compartment and air conditioning controls

The steering column, including the steering wheel and transmission display, can be adjusted in height to fit operator requirements. The display shows all information dedicated to road circulation (levels, temperatures, speed, etc.)

Air-conditioning

Developed according to automotive standards, **cutting the warm-up and cool-down times in half** compared to a conventional air conditioning system. The suction vent is located on the side of the cab, away from potential sources of dust and dirt, while inside there are 8 vents, three of which are dedicated to defrosting the windscreen, for optimum climatic comfort.



Boom Suspensions

The active boom suspension system (BSS - Boom Suspension System) is available as an option, which protects the load during transfer and maintains a high level of driving comfort on rough terrain. The **suspension is automatically deactivated** at low speed (below 3 km/h), for boom maximum precision and power.



Merlo Carriage

Merlo machines have a carriage designed to ensure record-breaking performance with every implement, without compromising on lightness, which is essential for ensuring an exceptional lifting capacity. The maximum rotation facilitates the loading and unloading of material with buckets. The **Tac-lock device**, which comes **standard** on all the models, guarantees maximum operating comfort, allowing the implements to be hydraulically locked from the cab.



Lighting

Merlo telehandlers are all fitted as standard with road lights and a rear number plate lighting system. In addition, the compact model range can be equipped with additional front and rear lights mounted in the upper part of the cab. This solution allows an optimal view of the area in which work is being performed, even in limited light conditions. Finally, optional boom-mounted lights are available to illuminate the load at every stage of lifting.

Efficiency

Simpler and Smarter

Merlo telehandlers boast the **smallest dimensions and lightest weights on the market**, guaranteeing reduced manoeuvring space, fuel consumption for transfers and reduced impact on the ground. Excellent manoeuvrability further reduces manoeuvring times, for greater productivity and lower power consumption. In order to ensure a further reduction in consumption and operating costs, Merlo telehandlers boast **full electronic management of the transmission and engine**, in order to minimise RPM and, consequently, fuel demand.

All models in the range are equipped with a double-acting hydraulic service line at the top of the boom and an electrical socket for machine-implement communication, making them compatible with a wide range of specially designed attachments in order to increase the versatility of the machine and allow its use in a wider range of applications, thereby reducing depreciation times.

Visibility

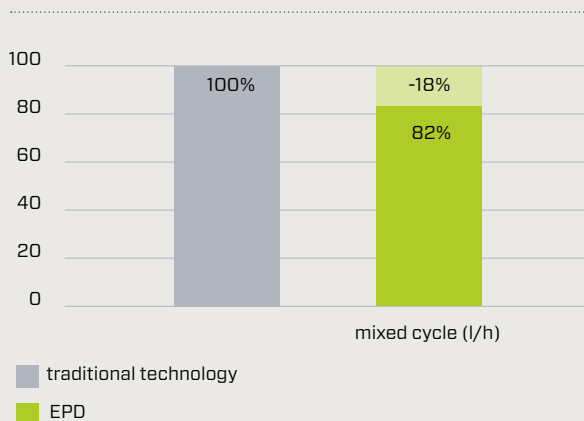
Merlo's improved visibility increases range of movement and safety for operators. To achieve these standards of visibility, Merlo has invested in understanding the best position of the cab and boom for the operator. Merlo has also developed a detailed bonnet design and a large glass surface with the aim of ensuring fast, safe and precise operations.

In addition, three different brushes are installed on the machine to ensure perfect window cleaning even in heavy rain. Electric controls in the cab control continuous or variable speed operation depending on the weather conditions.



REDUCED CONSUMPTION

Merlo EPD technology

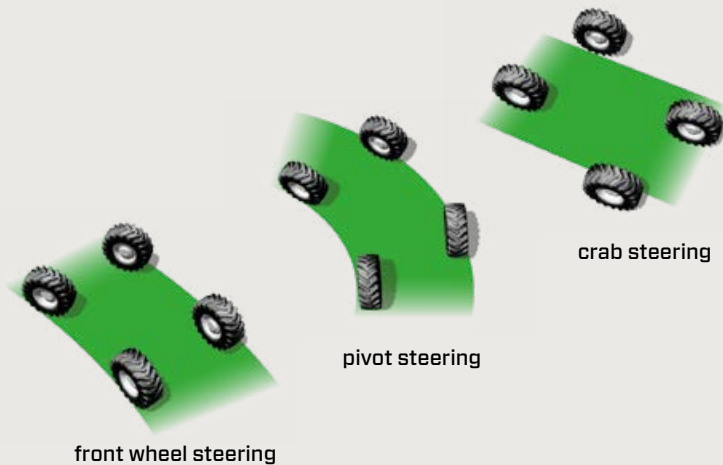


EPD and Self-Accelerating Joystick

The exclusive EPD (**Eco Power Drive**) is a Merlo patented system for electronically controlling and regulating the engine and transmission. Fitted on 115 hp models, the EPD automatically controls and adjusts engine speed, hydrostatic pump flow rate and hydrostatic motor displacement according to operating conditions. This is to maximise efficiency and reduce RPM, ensuring a reduction in fuel consumption of up to 18%. The EPD includes the **“self-accelerating joystick”** function, which manages engine speed proportionally to the use of the joystick (the greater the inclination of the joystick, the greater the engine RPM). This feature further optimises fuel consumption and maximises the responsiveness for material handling.

Eco Power Drive - Plus version

The patented Merlo EPD Plus system, applied to hydrostatic transmissions, includes three modes of use that apply to different operating needs: “**Heavy Load**”, “**Eco**” and “**Speed Control**”. The “Eco” mode optimises performance in relation to fuel consumption and can be used for light operations; the “Speed Control” mode is essential for transport and towing, allowing the forward speed to be set and maintained constant regardless of changing operating conditions; the “Heavy Load” function is optimised for heavy-duty work requiring the machine to be used to its full capacity.



Battery Isolator Switch

As a standard feature, Merlo telehandlers come equipped with an **electric, automatic and timed battery switch** to improve the efficiency and life of the batteries. Removing the key from the ignition switch starts a process which completely disconnects the machine's electrical circuit without compromising the reliability of the machine's electrical control units. With the circuit off, the operator can simply insert the keys into the control panel again to reactivate all functions of the batteries.

A button is also available near the battery that allows for forceable disconnection of the battery in order to meet the operational needs of the other utilities.



Towing

In order to maximise the versatility of these models, it is possible to type-approve telehandlers as “agricultural tractors with telescopic boom”, allowing them to tow trailers on public roads, with different solutions for coupling and braking trailers, reaching a maximum towing limit of 24 tonnes. To ensure full visibility of the towing hook, a rear-view mirror is fitted at the rear of the frame, tilted so that the trailer kingpin can be seen. Finally, to maximise the machine versatility, several solutions are available with rear hydraulic outlets controlled in a proportional manner and with the possibility of continuous oil delivery.



Compact telehandler range

Performance and versatility of use

The Compact telehandler range consists of models with lifting capacities between 2700 kg and 3300 kg, and lifting heights of up to 9 m.

The strength of this range is the ability to offer high levels of productivity, even in confined spaces, thanks to high manoeuvrability combined with excellent performance without sacrificing operator comfort.

The product range offers multiple versions characterised by different machine dimensions, engine power and types of hydraulic and hydrostatic systems, thus obtaining models capable of responding to the different operating needs of end users.

The range consists of two different product lines that differ in terms of size and performance:

- P27.6
- TF33.7 - TF30.9





P27.6

Models with more compact dimensions. Equipped with a simplified interface, they guarantee fast, safe and precise work.

The stand out features include:

- 95 l/min hydraulics with gear pump
- 1-speed hydrostatic transmission from 0 to 40 km/h
- 55,4 kW/75,1 hp engine
- TOP transmission with higher torque at the wheels available
- 4-wheel dry disc brakes





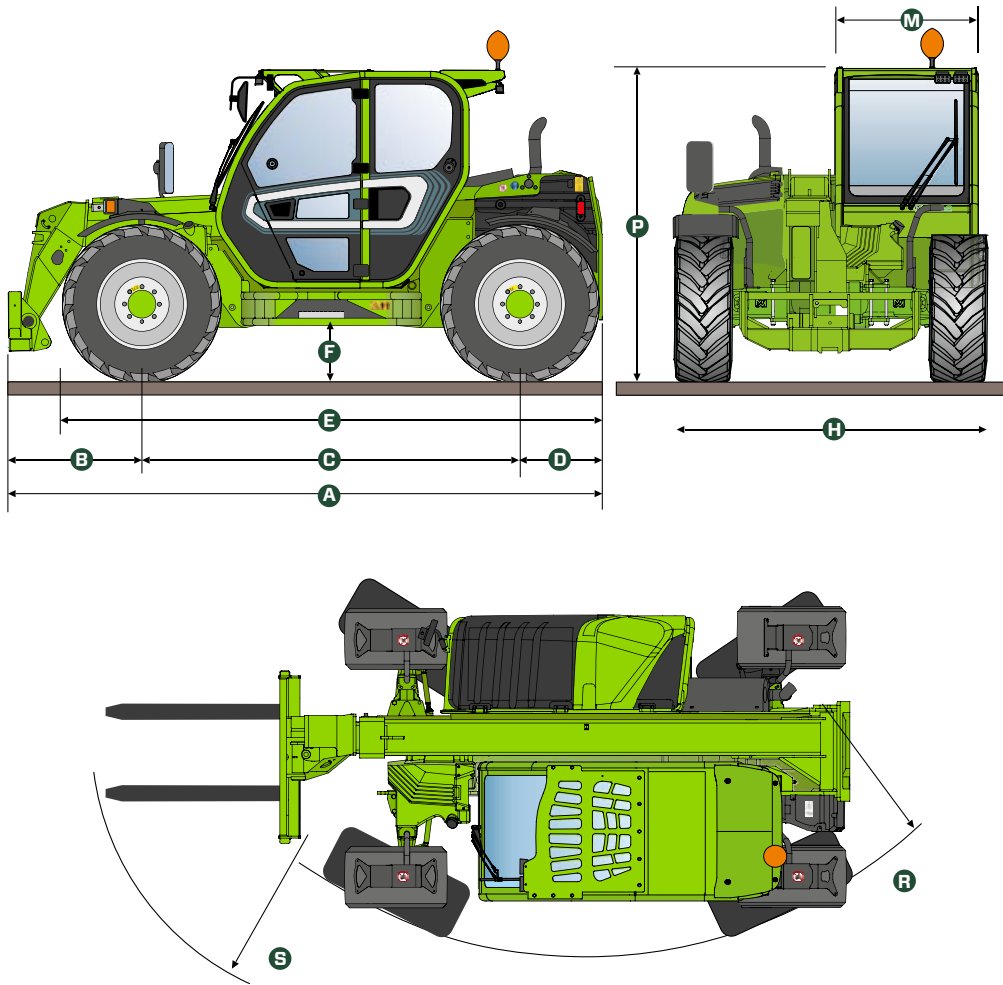
TF33.7-TF30.9

Models developed to offer increased telescopic performance, ensuring the manoeuvrability required for this product range. Lift height up to 9 metres.

The stand out features include:

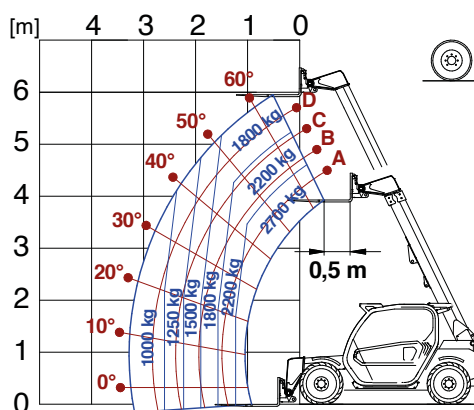
- 95 l/min hydraulics with gear pump or 125 l/min with Load Sensing pump
- 2-speed hydrostatic transmission up to 40 km/h
- 55,4 kW/75,1 hp or 85 kW/115 hp engine
- “L” configuration available to reduce maximum machine height
- 4-wheel dry disc brakes

Technical characteristics



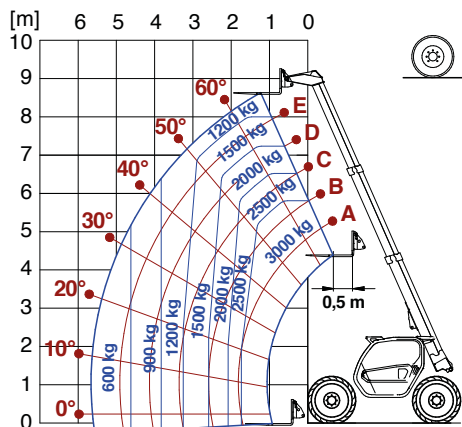
MODEL	DIMENSIONS	A	B	C	D	E	F	H	M	P	R	S
P27.6PLUS	mm	3910	820	2450	640	3495	270	1860	1010	1960	3370	4200
P27.6TOP	mm	3910	820	2450	640	3495	270	1860	1010	1960	3370	4200
TF33.7-G	mm	4310	970	2740	600	3910	290	2100	1010	2120	3930	4660
TF33.7-115	mm	4310	970	2740	600	3910	290	2100	1010	2120	3930	4660
TF33.7-LG	mm	4310	970	2740	600	3910	290	2100	1010	2120	3930	4660
TF33.7-115L	mm	4310	970	2740	600	3910	290	2100	1010	2120	3930	4660
TF30.9-G	mm	4330	990	2740	600	3910	290	2100	1010	2120	3930	4660
TF30.9-115	mm	4330	990	2740	600	3910	290	2100	1010	2120	3930	4660
TF30.9-LG	mm	4330	990	2740	600	3910	290	2100	1010	2120	3930	4660
TF30.9-115L	mm	4330	990	2740	600	3910	290	2100	1010	2120	3930	4660

MODEL	P27.6PLUS	P27.6TOP	TF33.7-G	TF33.7-LG
Unladen weight (kg)	4850	4850	6400	6400
Maximum load capacity (kg)	2700	2700	3300	3300
Lift height (m)	5,9	5,9	6,6	6,6
Maximum reach (m)	3,3	3,3	3,5	3,5
Reach at max. load capacity (m)	1,2	1,2	1,4	1,4
Load capacity at max. reach (kg)	1000	1000	1350	1350
Load capacity at max. lift height (kg)	1800	1800	2600	2600
Boom side-shift (mm)	-	-	-	-
Frame levelling (%)	-	-	-	-
Engine	Kohler 2504 TCR	Kohler 2504 TCR	Kohler KDI 2504 TCR	Kohler KDI 2504 TCR
Engine power (kW/HP)	55,4/75,1	55,4/75,1	55,4/75,1	55,4/75,1
Anti-pollution technology	Stage V DOC + DPF	Stage V DOC + DPF	Stage V DOC + DPF	Stage V DOC + DPF
Reversible fan	NO	NO	YES	YES
Maximum speed (km/h)	40	40	40	40
Fuel tank capacity (l)	70	70	80	80
AdBlue tank capacity (l)	-	-	-	-
Hydrostatic transmission	YES - 1V	TOP - 1V	YES - 2V	YES - 2V
EPD	NO	NO	STD	STD
Hydraulic pump	Gears	Gears	Gears	Gears
Delivery/pressure (l/min-bar)	95-210	95-210	98-210	98-210
Hydraulic oil tank capacity (l)	70	70	85	85
Cab finishing	ECO	ECO	ECO	ECO
ASCS	NO	NO	NO	NO
ROPS, FOPS LEV II cab	YES	YES	YES	YES
Cab controls	Electromechanical joystick control	Electromechanical joystick control	Electrohydraulic joystick control	Electrohydraulic joystick control
Reverse shuttle	Finger touch	Finger touch	Dual reverse	Dual reverse
Boom suspension	OPT	OPT	OPT	OPT
Tac-lock	YES	YES	YES	YES
Permanent four-wheel drive	YES	YES	YES	YES
All-wheel steering	YES	YES	YES	YES
Standard tyres	12-16,5	12-16,5	400/70-20	400/70-20

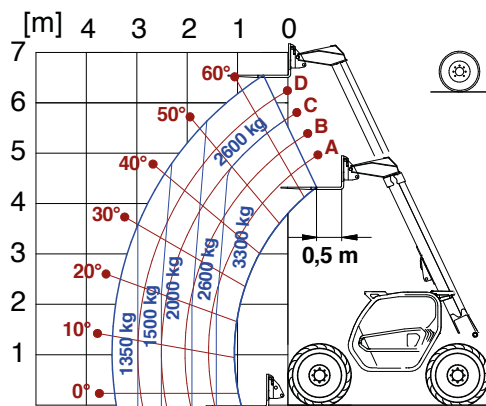


P27.6

TF33.7-115	TF33.7-115L	TF30.9-G	TF30.9-LG	TF30.9-115	TF30.9-115L
6700	6700	7100	7100	7200	7200
3300	3300	3000	3000	3000	3000
6,6	6,6	8,6	8,6	8,6	8,6
3,5	3,5	5,7	5,7	5,7	5,7
1,4	1,4	1,8	1,8	1,8	1,8
1350	1350	650	650	650	650
2600	2600	1200	1200	1200	1200
-	-	-	-	-	-
-	-	-	-	-	-
Deutz TCD3.6	Deutz TCD3.6	Kohler KDI 2504 TCR	Kohler KDI 2504 TCR	Deutz TCD3.6	Deutz TCD3.6
85/115	85/115	55,4/75,1	55,4/75,1	85/115	85/115
Stage V SCR + DPF + DOC	Stage V SCR + DPF + DOC	Stage V DOC + DPF	Stage V DOC + DPF	Stage V SCR + DPF + DOC	Stage V SCR + DPF + DOC
YES	YES	YES	YES	YES	YES
40	40	40	40	40	40
85	85	80	80	85	85
12	12	-	-	12	12
YES - 2V	YES - 2V	YES - 2V	YES - 2V	YES - 2V	YES - 2V
Plus	Plus	STD	STD	Plus	Plus
LS + FS	LS + FS	Gears	Gears	LS + FS	LS + FS
125-210	125-210	98-210	98-210	125-210	125-210
85	85	85	85	85	85
ECO	ECO	ECO	ECO	ECO	ECO
Light	Light	NO	NO	Light	Light
YES	YES	YES	YES	YES	YES
Electronic joystick control	Electronic joystick control	Electrohydraulic joystick control	Electrohydraulic joystick control	Electronic joystick control	Electronic joystick control
Dual reverse	Dual reverse	Dual reverse	Dual reverse	Dual reverse	Dual reverse
OPT	OPT	OPT	OPT	OPT	OPT
YES	YES	YES	YES	YES	YES
YES	YES	YES	YES	YES	YES
YES	YES	YES	YES	YES	YES
400/70-20	400/70-20	400/70-20	400/70-20	400/70-20	400/70-20



TF30.9



TF33.7







Your Merlo dealer

MERLO S.p.A.

Via Nazionale, 9 - 12010 S. Defendente di Cervasca (CN) Italy
Tel. +39 0171 614111 - Fax +39 0171 684101
www.merlo.com - info@merlo.com

